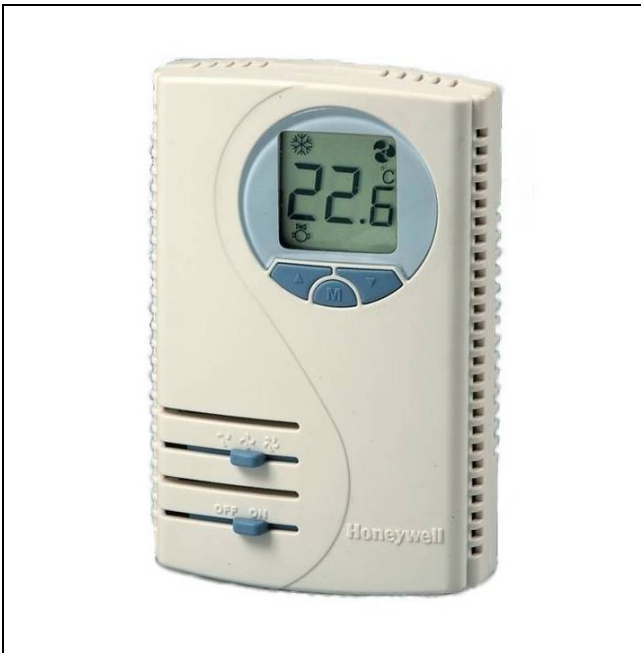


## XE80 Series LCD DIGITAL THERMOSTAT

### SPECIFICATION DATA



### Application

The new XE80 series LCD thermostats are designed for On-Off control of the valve, or the valve and fan in 2-pipe application.

The thermostat operates an on/off valve to provide control at the desired setpoint temperature.

Fan-coil thermostat models are available with constant fan operation, and have a three-speed switch comes with low, medium and high settings.

### Features

- New attractive modern styling design makes the thermostat harmonized with any interior decoration.
- All in one design, easier to install or service. FUZZY logic design, easier to operate.
- Easy-to-see LCD screen. 3-Speed Controls.
- Heat/Cool mode adjustable. Remote controller of chiller on all models.
- °C or °F selectable.
- Ability to display temperature sensor failure for easier troubleshooting.
- Valve position indicator; Suitable for use with Honeywell MCV series and V4043/V4044 valves and compressor starters/relays up to 2A full load rating.

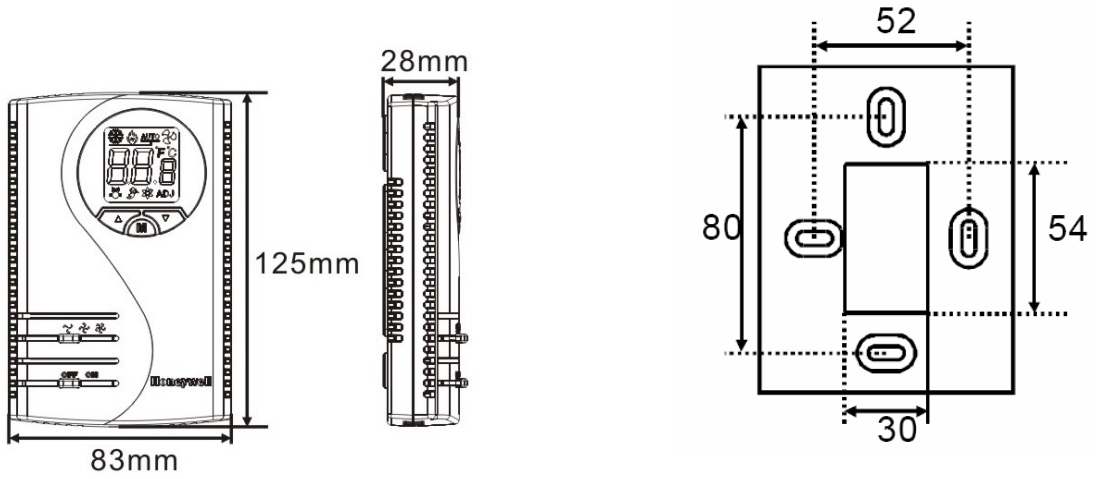
### Specifications

|                             |   |
|-----------------------------|---|
| Dimension:                  | 125(H) x 83(W) x 28mm(D)<br>See Fig. 1  |
| Setpoint ranges:            | 15 ~ 30°C (or 60 ~ 85°F, step 1°C/°F)   |
| Display ranges:             | 0 ~ 40.0°C (step 0.1°C)   |
| Thermostat Switch:          | 1 SPDT Relay  |
| Power Rating:               | 110V/60Hz (T6381A1041)<br>220V/60Hz (T6381A1033)  |
| Control:                    | On-Off  |
| Electrical Rating:          | 4(2) A, 220 V~, 12A inrush typical<br>loads are fans, zone valves and relays  |
| Operational Life Cycle:     | Greater than 100,000 cycles (all loads)<br>for thermostat contacts at 220V.<br>Greater than 10,000 operations for all<br>manually operating switches.       |
| Mounting:                   | Mounts directly onto wall or wall-box, a<br>standard 65x65mm junction box (hole<br>pitch 60mm) or a 85x85mm junction<br>box. Mounting screws supplied.      |
| Wiring:                     | 7 or 9 screw -in terminals per unit,<br>capable of accepting 18~26AWG wires<br>per terminal.  |
| Environmental requirements: | Operating temperature range 5 to<br>45°C. Shipping and storage<br>temperature range -20 to 55°C.<br>Humidity range 5 to 95% RH, non-<br>condensing at 26°C. |

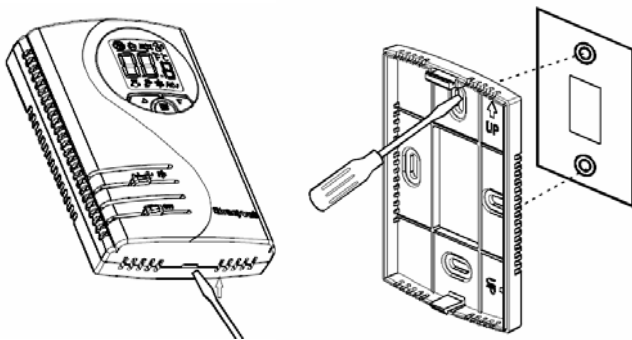
Table 1. Model Selection Guide

| OS#        | Application                                 | Mounting | Switches      |         | Supply Voltage   |
|------------|---|----------|---------------|---------|------------------|
|            |   |          | On-Off (SPDT) | 3-Speed | Vac±10%, 50/60Hz |
| T6381A1041 | 2-pipe Fan Coil + Remote Control of Chiller | Vertical | Yes           | Yes     | 110V             |
| T6381A1033 | 2-pipe Fan Coil + Remote Control of Chiller | Vertical | Yes           | Yes     | 220V             |
| T6381A1061 | 4-pipe Fan Coil + Remote Control of Chiller | Vertical | Yes           | Yes     | 110V             |
| T6381A1053 | 4-pipe Fan Coil + Remote Control of Chiller | Vertical | Yes           | Yes     | 220V             |

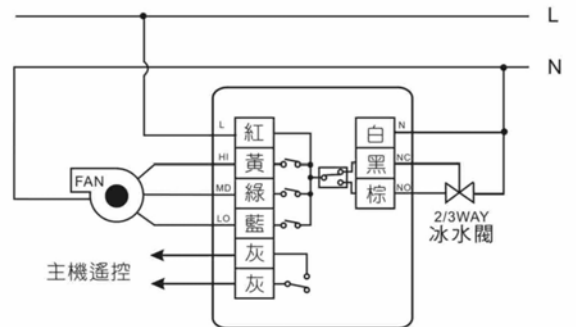
**Dimensions** (in mm)



**Installations**



**Wiring**



**Automation and Control Solutions**

Honeywell Taiwan Ltd.  
 10F, 168 Lien Cheng Road  
 Chung Ho City, Taipei County, Taiwan  
 Phone: +886-2-2245 1000  
 Fax: +886-2-2245 3241

Subject to change without notice. Printed in Taiwan